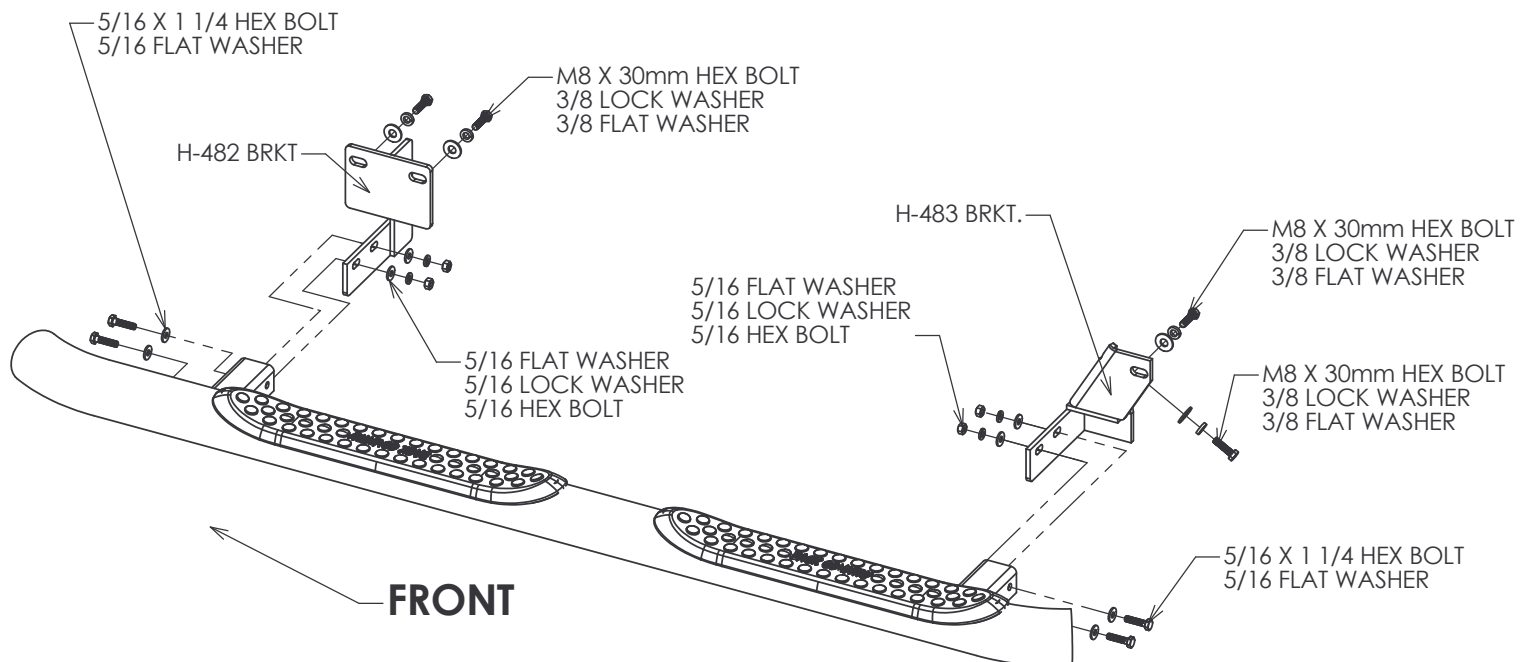


Installation Instructions

CONTENTS:

- | | | |
|---------------------------|---------------------------------|-----------------------------|
| (2) STEP TUBES | (8) H-070 M8 X 30mm HEX BOLT | (16) H-011 5/16 FLAT WASHER |
| (1) H-482 (L) FRONT BRKT. | (8) H-038 3/8 LOCK WASHER | (8) H-030 5/16 HEX NUT |
| (1) H-483 (L) REAR BRKT | (8) H-037 3/8 FLAT WASHER | |
| (1) H-484 (R) REAR BRKT | (8) H-063 5/16 X 1 1/4 HEX BOLT | |
| (1) H-485 (R) FRONT BRKT | (8) H-012 5/16 LOCK WASHERS | |

- 1.) Remove the factory rubber plugs at the front and rear mounting locations located at the back side of the rocker area.
- 2.) Attach the front left (H-482) and rear (H-483) mounting brackets to the underbody mounting locations using four M8 x 30mm hex head bolts, four 3/8 lock washers and four 3/8 flat washers. Hand tighten only.
- 3.) Bolt the tube to the brackets with four 5/16 x 1 1/4 hex bolts, four lock washers, eight flat washers and four hex nuts as shown. Check the alignment of the tube against the rocker panel. Make any necessary adjustments than tighten the M8 & 5/16 bolts to 8ft/lbs.
- 4.) Repeat steps on opposite side of vehicle.



REV B. 9/04/03