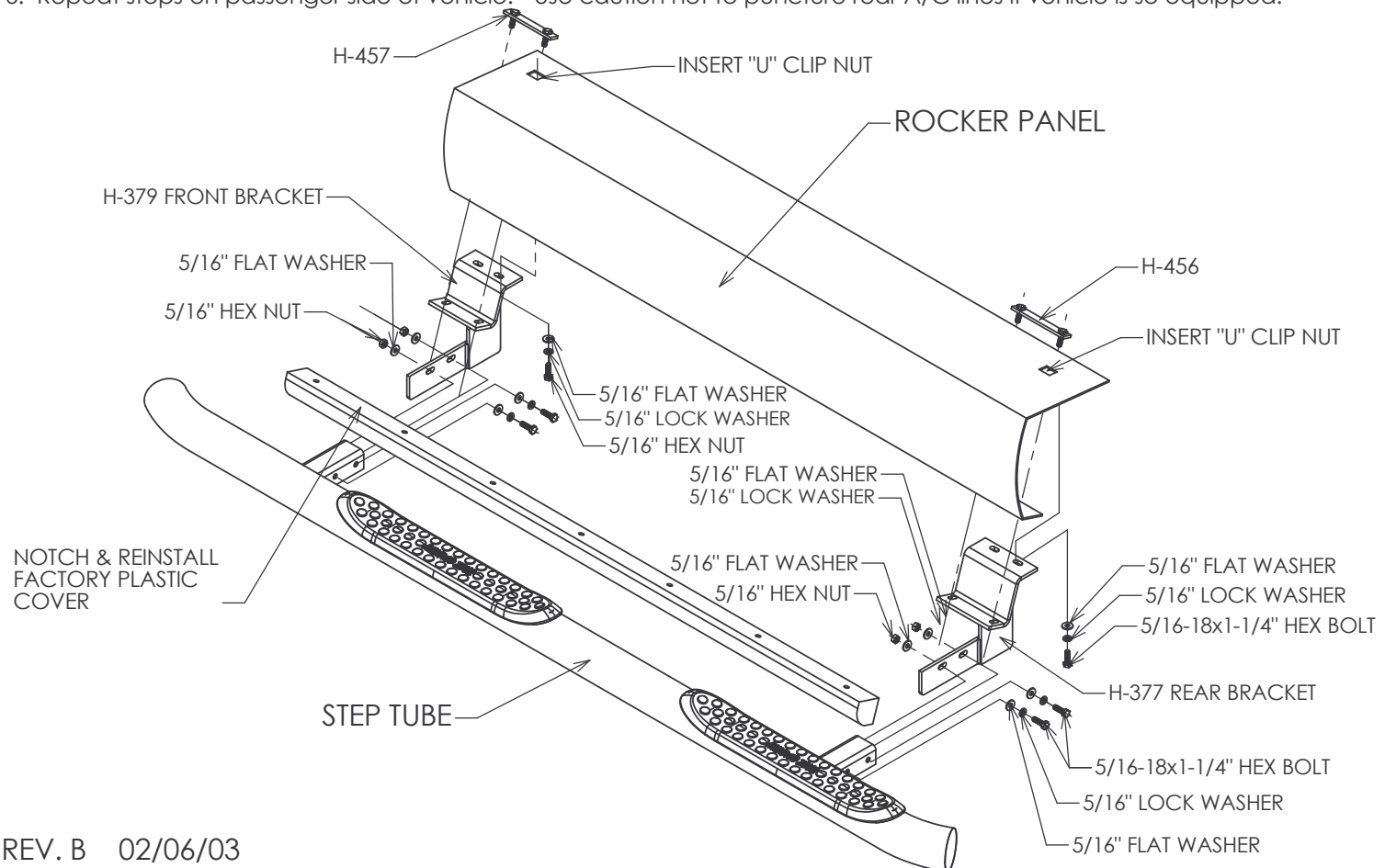


Installation Instructions

CONTENTS:

(2) STEP TUBES	(16) 5/16-18 HEX NUT
(2) H-379 FRONT (RIGHT / LEFT) BRACKET	(12) 5/16-18 x 1-1/4" HEX BOLT
(2) H-377 REAR (RIGHT / LEFT) BRACKET	(4) 5/16" "U" CLIP
(40) 5/16" FLAT WASHER	(2) H-456 STUD PLATE
(34) 5/16" LOCK WASHER	(2) H-457 STUD PLATE

1. Remove factory plastic cover under vehicle by removing all factory metal snap nuts if so equipped. Set factory plastic cover to the side and remove the two plastic "L" brackets that were holding the plastic cover on and discard.
2. Install front driver's side bracket (H-379) using a "U" clip nut and two 5/16-18 x 1-1/4" hex bolts, one 5/16" hex nut, three 5/16" flat washers and two 5/16" lock washers. Using the 5/16-18 bolt toward the bottom re-attach the factory plastic cover. Snug by hand only.
3. Install rear driver's side bracket (H-377) using a "U" clip nut and two 5/16-18 X 1-1/4" hex bolts, one 5/16" hex nut, three 5/16" flat washers and two 5/16" lock washers. Using the 5/16-18 bolt toward the bottom re-attach the factory plastic cover. Snug by hand only.
4. Hold factory plastic cover up to vehicle and mark the sections where the mounting brackets will interfere. Remove factory plastic cover from area and cut out the marked areas. Using additional supplied 5/16-18 x 1-1/4" hex bolts secure the factory plastic cover to existing holes in body panel.
5. Attach left step tube to mounting brackets using two 5/16-18 hex bolts, four 5/16" flat washers, two 5/16" lock washers, two 5/16" hex nuts. Check alignment against vehicle rocker panel and tighten all 5/16-18 hex bolts to 12 ft. lbs.
6. Repeat steps on passenger side of vehicle. - Use caution not to puncture rear A/C lines if vehicle is so equipped.



REV. B 02/06/03