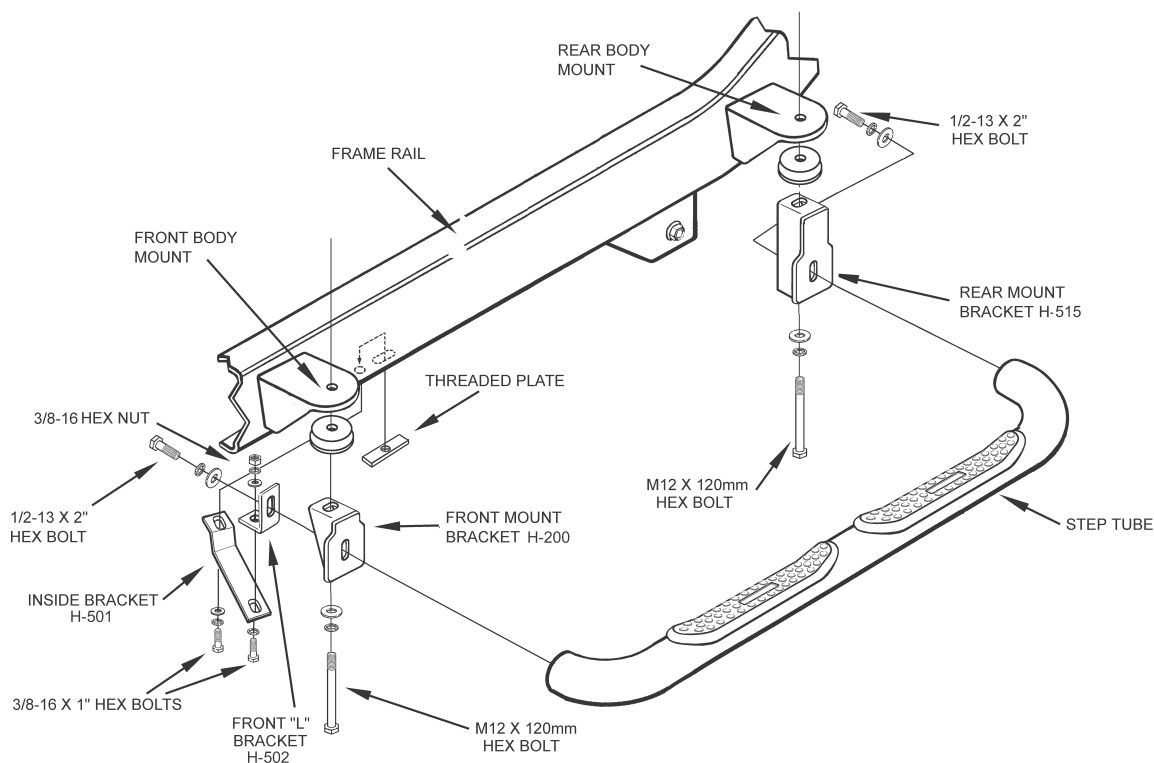


Installation Instructions

CONTENTS:	(2) Step Tubes	(2) Front mount brackets H-200
	(2) Rear mount brackets H-515	(2) Inside brackets H-501
	(2) L brackets H-502	(4) 3/8" lock washers
	(2) Threaded plates H-995	(4) 1/2-13 x 2" hex bolts
	(8) 1/2" flat washers	(8) 1/2" lock washers
	(4) M12 x 120mm hex bolts	(4) 3/8-16 x 1 hex bolts
	(2) 3/8-16 hex nuts	(6) 3/8" flat washers

1. Remove the factory bolts in the front and rear body mounts that go up into the truck cab.
2. Thread the supplied M12-1.75 x 120mm bolts through a lock washer, flat washer, mount bracket and into the body mounts, hand tighten only.
3. Insert the threaded plate into the slot under the frame rail and line the threaded hole up with the round hole in the frame. Place the inside bracket over the hole and thread a 3/8-16 x 1" hex bolt with 3/8" lock washer, and 3/8" flat washer through the bracket and into the threaded insert. Connect the opposite end to a H-502 L bracket with a 3/8-16 x 1" hex bolt, 3/8 lock washer, two 3/8 flat washers and a 3/8 hex nut, do not tighten yet.
4. Bolt the tube to the brackets with two 1/2-13 x 2" hex bolts, lock washers and flat washers as depicted below. Snug the bolts, then check the alignment of the tube against the rocker panel. Make any necessary adjustments, then tighten M12 fasteners to 45 ft lbs. and 1/2-13 bolts 3/8 bolts to 20 ft/lbs.
5. Repeat steps on opposite side of the vehicle.



Revision D
5/20/04

7022 '02-06 Chevrolet Avalanche 1/2 ton only

Back Country, Tekstyle and Teksport are Registered Trademarks of Design Automotive Group, Inc. All rights reserved