

ENGINEERED STEP TUBES

Installation Instructions

CONTENTS:

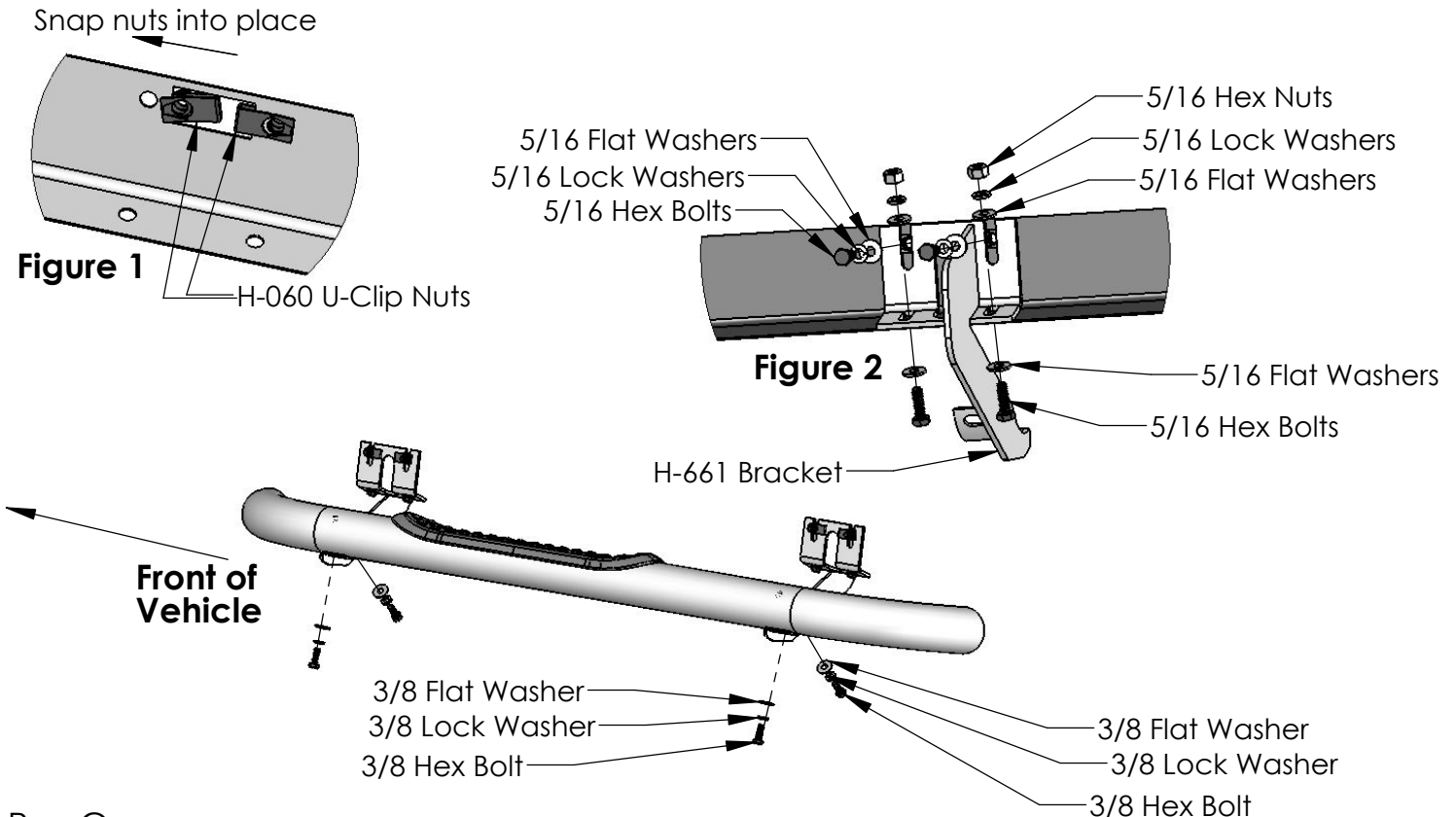
- | | |
|--------------------------------|----------------------------------|
| (2) Step Tubes | (16) H-010 5/16" x 1" Hex Bolt |
| (4) H-661 Mount Brackets | (8) H-030 5/16" Hex Nut |
| (8) H-060 U-Clip Nut | (8) H-037 3/8" Flat Washer |
| (24) H-011 5/16" Flat Washer | (8) H-038 3/8" Lock Washer |
| (16) H-012 5/16" Lock Washer | (8) H-036 3/8-16 x 1" Hex Bolt |

1. Locate the two mounting locations along the back side of the rocker area (the front and rear locations are used). Install two H-060 U-clip nuts at each location as shown in figure 1.

2. Attach mounting brackets to mounting location using two 5/16-18 hex bolts, two 5/16 lock washers, and two 5/16 flat washers at the top, and thread them into the U-clip nuts. Attach the lower portion with two 5/16-18 hex bolts, two 5/16 lock washers, four 5/16 flat washers, and two 5/16 hex nuts (see figure 2). Leave finger tight at this time.

3. Install Step tubes to each curved bracket cradle using two 3/8-16 hex bolts, two 3/8 lock washers, and two 3/8 flat washers, and thread them into the tube.

4. Align tube and tighten 5/16 fasteners to 20 ft/lbs, and 3/8 fasteners to 30 ft/lbs. Repeat on opposite side of vehicle.



Rev C
2/05/08

**** This product is not intended to provide protection for the vehicle or the occupants within ****

Back Country Accessories, All rights reserved