

ENGINEERED STEP TUBES

Installation Instructions

CONTENTS:

- | | |
|--------------------------------|----------------------------------|
| (2) Step Tubes | (16) H-010 5/16" x 1" Hex Bolt |
| (4) H-661 Mount Brackets | (8) H-030 5/16" Hex Nut |
| (8) H-060 U-Clip Nut | (8) H-037 3/8" Flat Washer |
| (24) H-011 5/16" Flat Washer | (8) H-038 3/8" Lock Washer |
| (16) H-012 5/16" Lock Washer | (8) H-036 3/8-16 x 1" Hex Bolt |

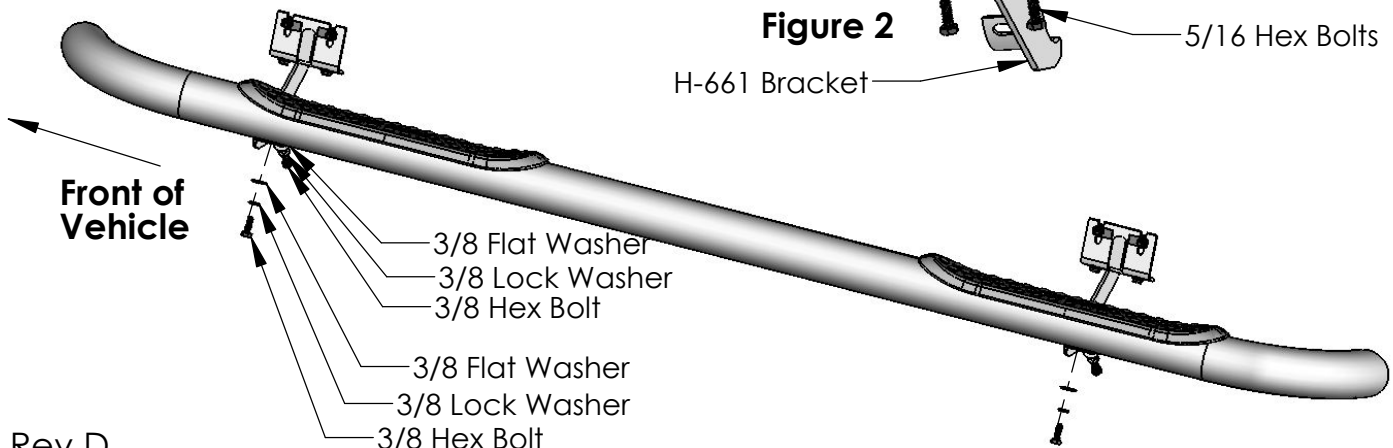
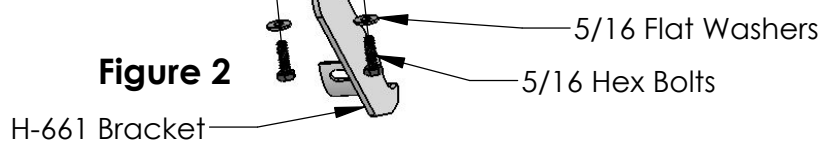
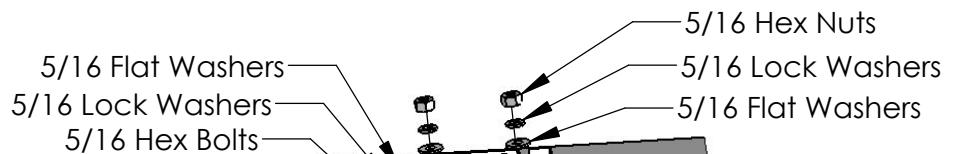
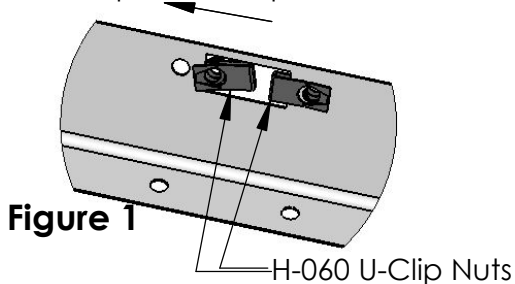
1. Locate the two mounting locations along the back side of the rocker area (the front and rear locations are used). Install two H-060 U-clip nuts at each location as shown in figure 1.

2. Attach mounting brackets to mounting location using two 5/16-18 hex bolts, two 5/16 lock washers, and two 5/16 flat washers at the top, and thread them into the U-clip nuts. Attach the lower portion with two 5/16-18 hex bolts, two 5/16 lock washers, four 5/16 flat washers, and two 5/16 hex nuts (see figure 2). Leave finger tight at this time.

3. Install Step tubes to each curved bracket cradle using two 3/8-16 hex bolts, two 3/8 lock washers, and two 3/8 flat washers, and thread them into the tube. 2009 and later models use the rear set of holes at the rear of each tube, earlier models use the front holes.

4. Align tube and tighten 5/16 fasteners to 20 ft/lbs, and 3/8 fasteners to 30 ft/lbs. Repeat on opposite side of vehicle.

Snap nuts into place



Rev D
2/06/09

**** This product is not intended to provide protection for the vehicle or the occupants within ****