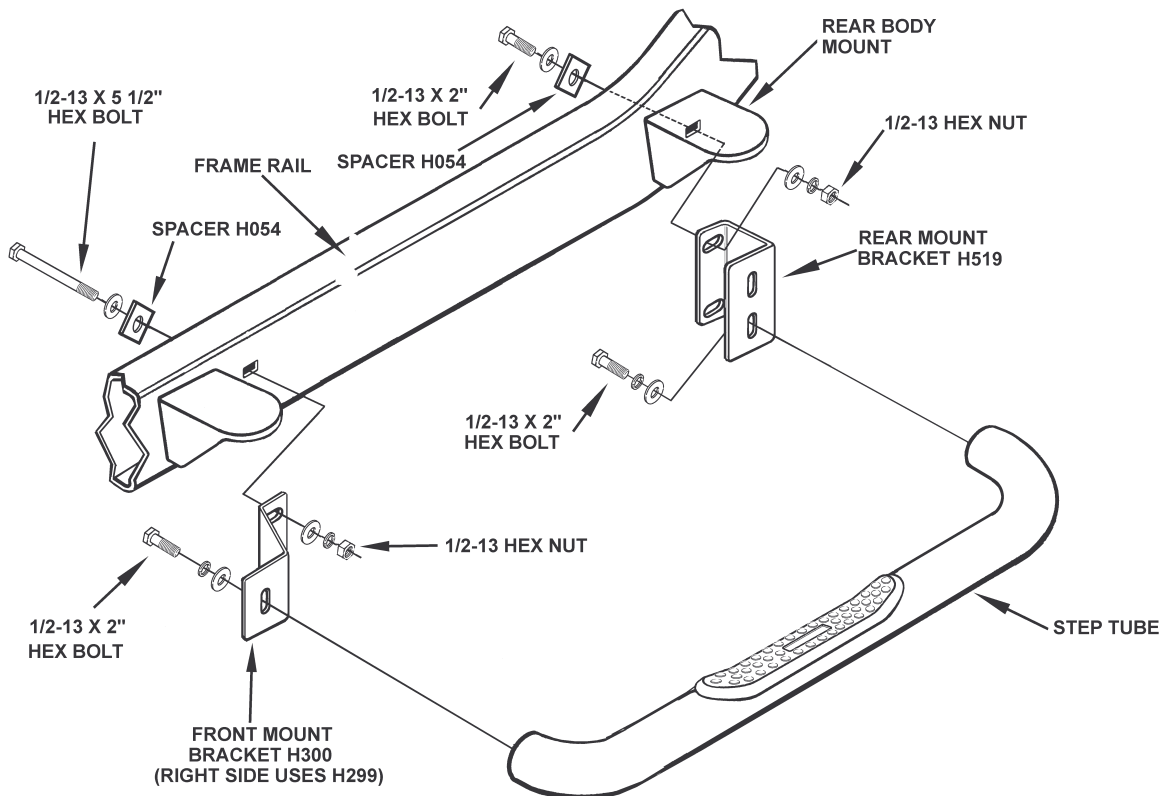


### Installation Instructions

<b>CONTENTS:</b>	(2) Step Tubes	(2) Rear mount brackets R & L H-519
	(1) Right front mount bracket H-299	(1) Left front mount bracket H-300
	(2) 1/2-13 x 5 1/2" hex bolts	(6) 1/2-13 x 2" hex bolts
	(12) 1/2" flat washers	(8) 1/2" lock washers
(4) 1/2-13 hex nuts	(4) Spacers H-054	

1. Using a 1/2-13 x 5 1/2" hex bolt, 1/2-13 hex nut, two 1/2" flat washers, a 1/2" lock washer, and a H-054 spacer install a left (U.S. driver's side) front mount bracket to the truck's frame. Use the existing factory hole. Thread by hand only.
2. Using a 1/2-13 x 2" hex bolt, 1/2-13 hex nut, two 1/2" flat washers, a 1/2" lock washer, and a H-054 spacer, install a rear mount bracket to the outside rear of the left rear body mount of the truck's frame. Thread by hand only.
3. Bolt the tube to the brackets with two 1/2-13 x 2" hex bolts, lock washers and flat washers. Snugly tighten the bolts, then check the alignment of the tube against the rocker panel. Make any necessary adjustments, then tighten all 1/2-13 bolts to 50 ft lbs.
4. Repeat steps on right side of the vehicle.



REV B 8/6/04

### 7041 2000-C TOYOTA TUNDRA STANDARD CAB

Back Country, Tekstyle and Teksport are Registered Trademarks of Design Automotive Group, Inc. All rights reserved