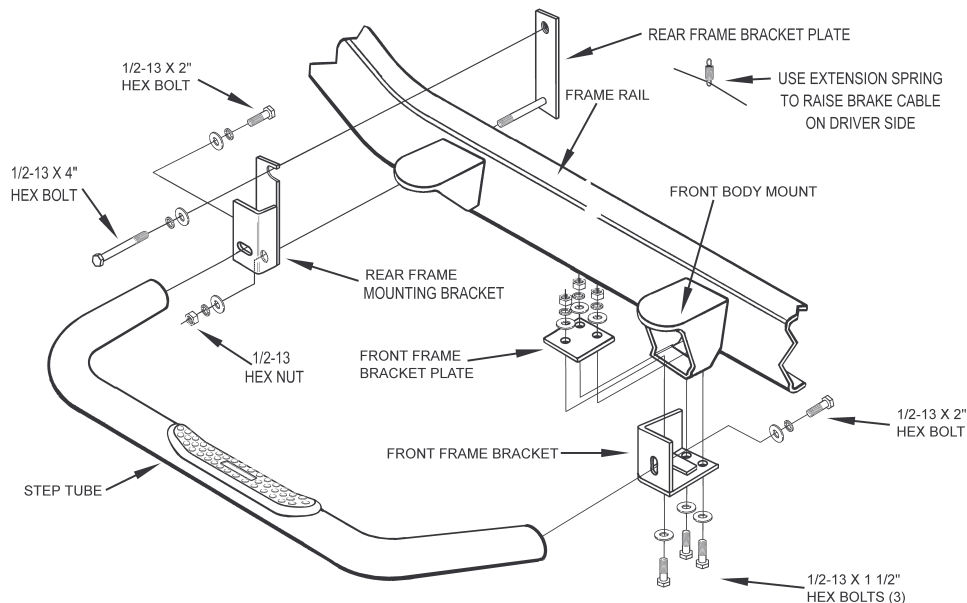


## Installation Instructions

<b>CONTENTS:</b>	(2) Step Tubes	(2) Front frame brackets
	(2) Front frame bracket plates	(2) Rear frame bracket plates
	(2) Rear frame mounting brackets	(4) 1/2-13 x 2" hex bolts
	(6) 1/2-13 x 1 1/2" hex bolts	(2) 1/2-13 x 4" hex bolts
	(20) 1/2" flat washers	(14) 1/2" lock washers
	(1) Extension spring	(8) 1/2-13 hex nuts

1. Slide the rear frame bracket plate up just behind the rear cab mount. Install a 1/2-13 x 4" hex bolt, lock washer, and flat washer and thread it into the top hole of the frame bracket plate from outside the frame. Next hook the rear frame mounting bracket over the head of that bolt. Install a 1/2-13 hex nut on the stud at the bottom. Leave bracket loose enough that some adjustment can be made.
2. Thread 1 1/2-13 x 1 1/2" hex bolt through a 1/2" flat washer, then through the outside facing hole in the front bracket, and into the front mount plates, a 1/2" flat washer, 1/2" lock washer and a 1/2-13 hex nut. Now slip the assembly over the plate located at the bottom of the front body mount and install the second and third 1/2-13 x 1 1/2" bolts, lock washers, flat washers and nuts. Snug the bolts, but do not tighten at this time. Bolt the step tube to the front and rear brackets with the two 1/2-13 x 2" hex bolts, lock washers, and flat washers, making sure the lock washer meets the bolt head.
3. Bolt the step tube to the bracket and mounting plate with the four 1/2-13 x 2" hex bolts, lock washers, and flat washers, making sure the lock washer meets the bolt head. Snugly tighten the bolts, then check the alignment of the tube against the rocker panel. Make any necessary adjustments, then tighten all seven bolts to 50 ft lbs.
4. To prevent the parking brake cable from striking against the left tube, clip the supplied extension spring through the hole in the bottom of the cab nearest the rear mounting bracket, then attach the other end to the brake cable.
5. Repeat steps on opposite side of the vehicle.



Rev A 1/26/06

### 7047 FORD RANGER STANDARD CAB 4X4 1998-CURRENT

Back Country, Tekstyle and Teksport are Registered Trademarks of Design Automotive Group, Inc. All rights reserved