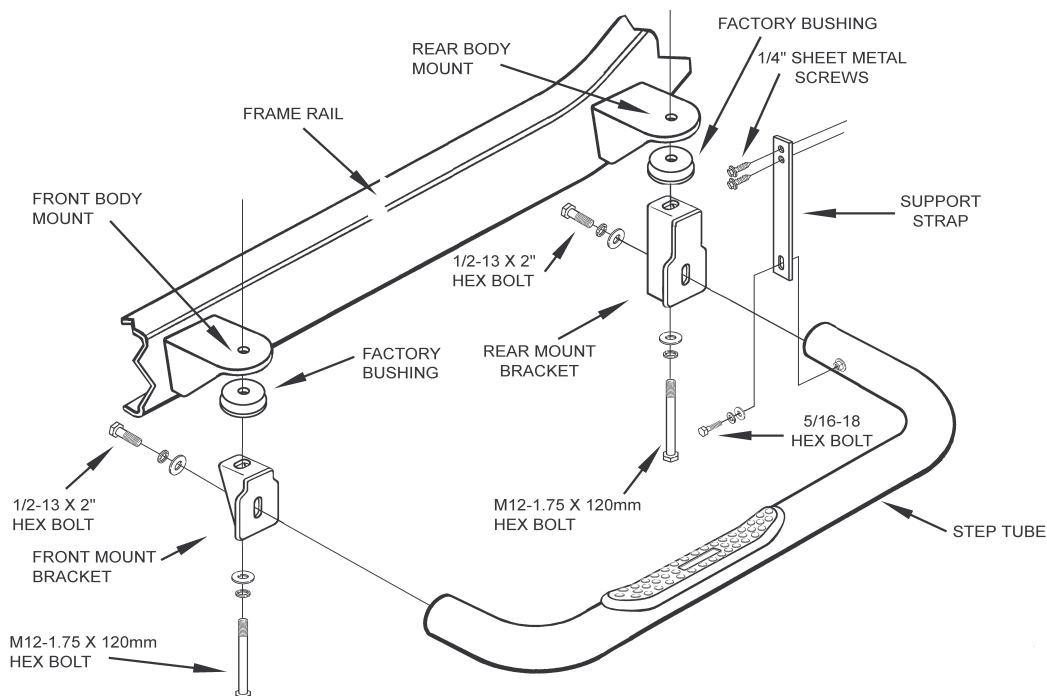


Installation Instructions

CONTENTS:	(2) Step Tubes	(2) Front mount brackets
	(2) Rear mount brackets	(4) M12-1.75 x 120mm hex bolts
	(4) 1/2-13 x 2" hex bolts	(8) 1/2" flat washers
	(8) 1/2" lock washers	(2) Support straps
	(2) 5/16-18 x 1" hex bolts	(2) 5/16" flat washers
	(2) 5/16" lock washers	(4) 1/4" sheet metal screws

1. Remove the factory bolts in the front and rear body mounts that go up into the truck cab.
2. Install the supplied M12-1.75 x 120mm bolts through a lock washer, flat washer, mount bracket and into the front and rear body mounts. The taller mount bracket goes in the rear. Snug the bolts, but do not tighten at this time.
3. Bolt the tube to the brackets with two 1/2-13 x 2" hex bolts, lock washers and flat washers. Snugly tighten the bolts, then check the alignment of the tube against the rocker panel. Make any necessary adjustments, then tighten M12 fasteners to 45 ft lbs. and 1/2-13 bolts to 50 ft lbs.
4. Attach the support strap to the side of the tube with the 5/16-18 x 1" hex bolt, lock washer and flat washer. Align the strap and drill two 1/8" pilot holes at the top of the strap. Apply a small amount of silicone type sealant to the holes to prevent rust, then install the two 1/4" sheet metal screws and tighten. Torque the 5/16-18 hex bolt to 12 ft lbs.
5. Repeat steps on opposite side of the vehicle.



7052 1994-01 DODGE RAM STANDARD CAB PICKUP