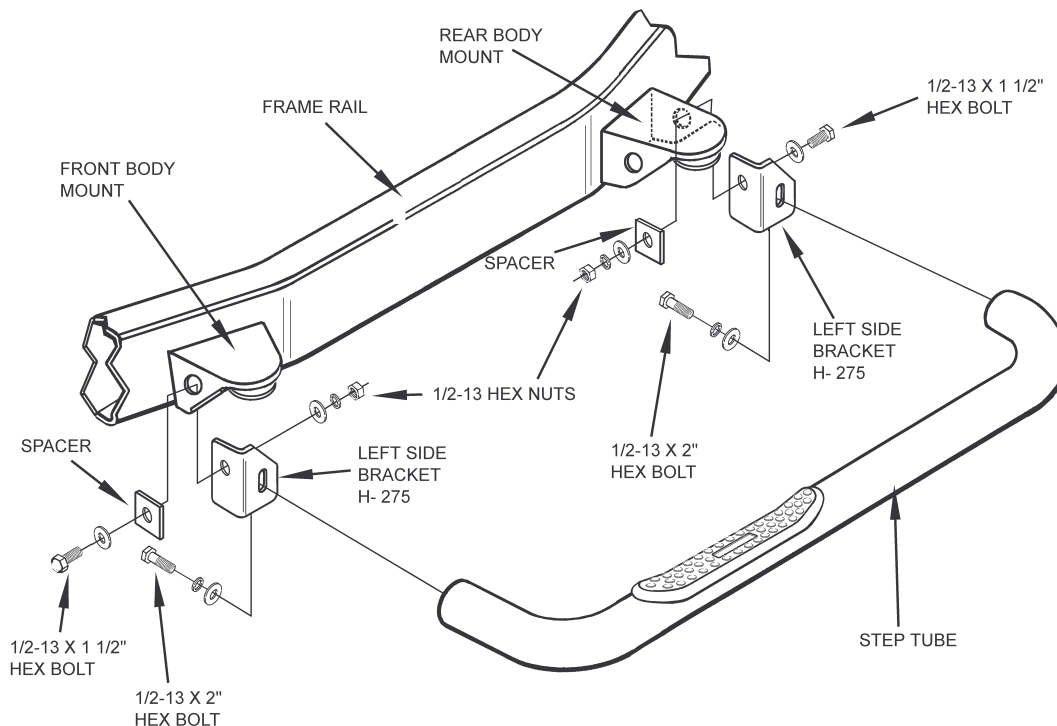


Installation Instructions

CONTENTS:	(2) Step Tubes	(2) Left side mount brackets H-275
	(2) Right side mount brackets H-274	(4) 1/2-13 x 1 1/2" hex bolts
	(4) 1/2-13 x 2" hex bolts	(12) 1/2" flat washers
	(8) 1/2" lock washers	(4) 1/2-13 hex nuts
	(4) Spacers	

1. Using a 1/2-13 x 1 1/2" hex bolt, 1/2-13 hex nut, two 1/2" flat washers, and a 1/2" lock washer, install a left mount bracket to the inside front of the left front body mount of the truck's frame. Thread by hand only.
2. Using a 1/2-13 x 1 1/2" hex bolt, 1/2-13 hex nut, two 1/2" flat washers, and a 1/2" lock washer, install a left mount bracket to the outside rear of the left rear body mount of the truck's frame. Thread by hand only.
3. Bolt the tube to the brackets with two 1/2-13 x 2" hex bolts, lock washers and flat washers. Snugly tighten the bolts, then check the alignment of the tube against the rocker panel. Make any necessary adjustments, then tighten all 1/2-13 bolts to 50 ft lbs.
4. Repeat steps on right side of the vehicle.



7056 1998-2004 Nissan Frontier Extended Cab