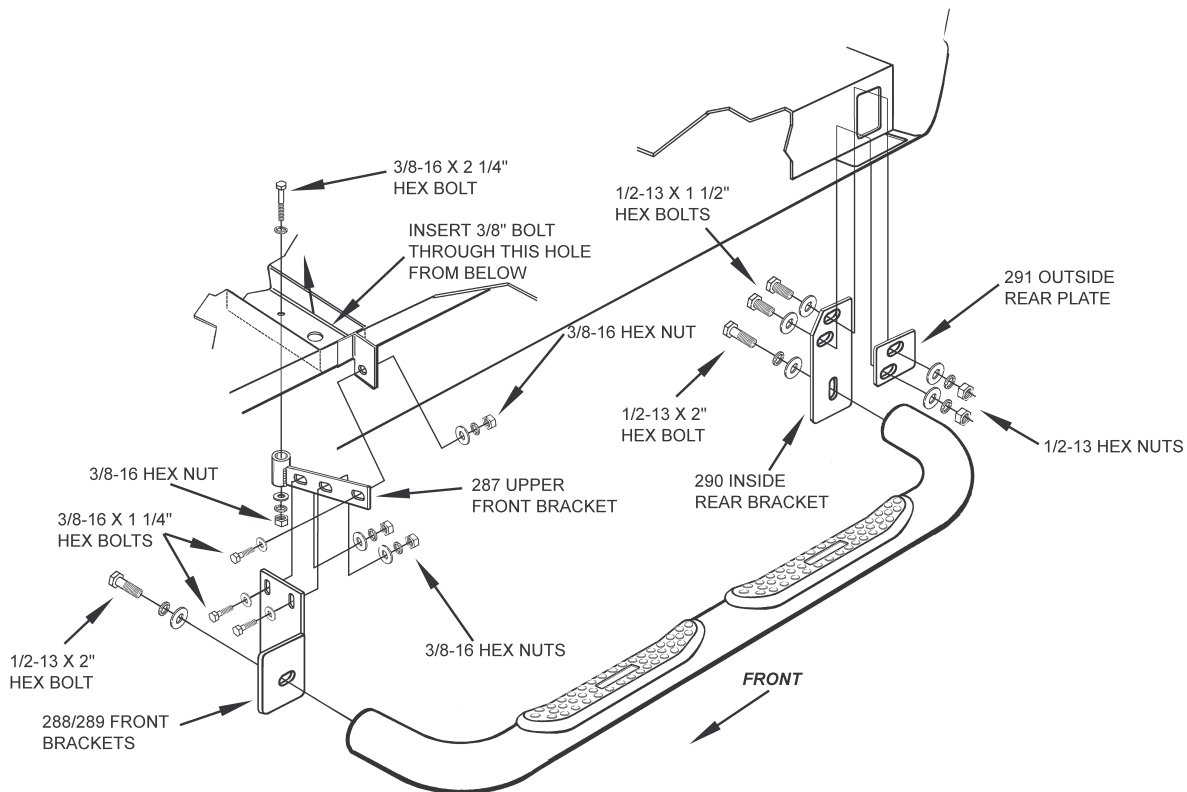


<b>CONTENTS:</b> (2) Step Tubes	(2) 287 Upper front brackets	(1) 288 Left front bracket
(1) 289 Right front bracket	(2) 290 Inside rear bracket	(2) 291 Outside rear plate
(4) 1/2-13 x 2" hex bolts	(4) 1/2-13 x 1 1/2" hex bolts	(12) 1/2" flat washers
(8) 1/2" lock washers	(4) 1/2-13 hex nuts	(6) 3/8-16 x 1 1/4" hex bolts
(14) 3/8" flat washers	(10) 3/8" lock washers	(8) 3/8-16 hex nuts
(2) 3/8-16 x 2 1/4" hex bolts		

1. Just behind the front tire, insert one 3/8-16 x 2 1/4" long hex bolt with a lock washer through the outer factory hole in the floor so the threaded end protrudes down toward the ground through the innermost hole (see illustration). Mount the 287 upper front bracket to the underside of the cab by sliding the cylindrical end over the protruding bolt then secure with a 3/8" flat washer, lock washer and 3/8-16 hex nut. Next attach opposite end of 287 bracket to the existing hole behind the rocker panel with a 3/8-16 x 1 1/4" hex bolt, two 3/8" flat washers, a 3/8" lockwasher and a 3/8" hex nut.
2. Attach the 288 left front bracket to the 287 bracket with two 3/8-16 x 1 1/4" hex bolts, four 3/8" flat washers, two 3/8" lockwashers and two 3/8" hex nuts. The plate where the tube mounts should face towards the front of the vehicle.
3. For the rear, insert two 1/2-13 x 1 1/2" hex bolts with flat washers through the back side of the 290 inside rear bracket, hoist it up into place from under the truck with the bolts poking through the rectangular opening in the rocker area (the angled side should face the front of the vehicle). Slip the 291 outside rear plate over the bolts, add a 1/2" flat washer, 1/2" lock washer, and a 1/2" hex nut to each bolt and hand tighten.
4. Bolt the tube to the brackets with two 1/2-13 x 2" hex bolts, lock washers and flat washers. Snug the bolts, then check the alignment of the tube against the rocker panel. Make any necessary adjustments, then tighten both bolts to 50 ft lbs. Tighten all remaining 3/8" bolts to 20 ft lbs. Tighten 1/2" bolts to 50 ft lbs.
5. Repeat steps on opposite side of the truck.



### 7060 FORD RANGER SUPERCAB 4 DOOR 4X2 OR 4X4 99-C

Back Country, Tekstyle and Teksport are Registered Trademarks of Design Automotive Group, Inc. All rights reserved