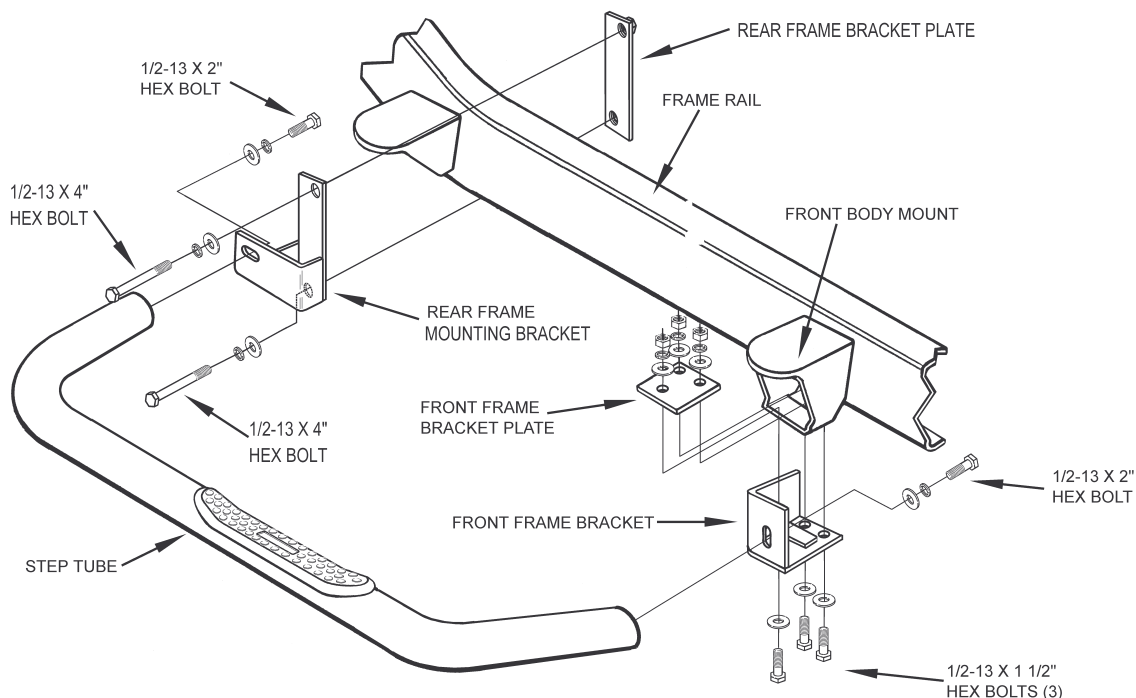


Installation Instructions

CONTENTS:	(2) Step Tubes	(2) Front frame brackets
	(2) Front frame bracket plates	(1) Right rear frame bracket plate
	(1) Right rear frame mounting bracket	(1) Left rear frame bracket plate
	(1) Left rear frame mounting bracket	(4) 1/2-13 x 2" hex bolts
	(6) 1/2-13 x 1 1/2" hex bolts	(4) 1/2-13 x 4" hex bolts
	(20) 1/2" flat washers	(14) 1/2" lock washers
(6) 1/2-13 hex nuts		

- Slide the rear frame bracket plate up just ahead of the rear cab mount while holding the mounting bracket up against the outside of the frame (a helper or third hand comes in handy here). Install two 1/2-13 x 4" hex bolts, lock washers, and flat washers through the holes in the outside mounting bracket into the bracket plate. Leave bracket loose enough that some adjustment can be made.
- Thread 1 1/2-13 x 1 1/2" hex bolt through a 1/2" flat washer, then through the outside facing hole in the front bracket, and into the front mount plates, a 1/2" flat washer, 1/2" lock washer and a 1/2-13 hex nut. Now slip the assembly over the plate located at the bottom of the front body mount and install the second and third 1/2-13 x 1 1/2" bolts, lock washers, flat washers and nuts. Snug the bolts, but do not tighten at this time. Bolt the step tube to the front and rear brackets with the two 1/2-13 x 2" hex bolts, lock washers, and flat washers, making sure the lock washer meets the bolt head.
- Bolt the step tube to the bracket and mounting plate with the four 1/2-13 x 2" hex bolts, lock washers, and flat washers, making sure the lock washer meets the bolt head. Snugly tighten the bolts, then check the alignment of the tube against the rocker panel. Make any necessary adjustments, then tighten all seven bolts to 50 ft lbs.
- Repeat steps on opposite side of the vehicle.



7063 FORD RANGER EXTENDED CAB 2 Door 4X4 1998-CURRENT