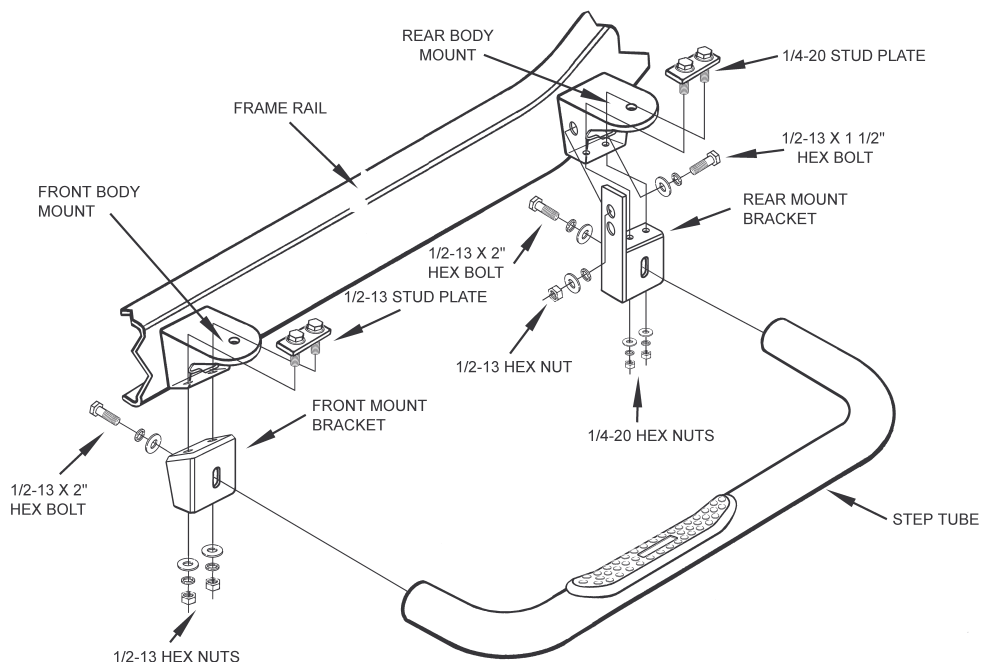


## Installation Instructions

<b>CONTENTS:</b>	(2) Step Tubes	(2) Front mount brackets	(1) Rear mount bracket RH
	(1) Rear mount bracket LH	(2) 1/2-13 front stud plates	(2) 1/4-20 rear stud plates
	(4) 1/2-13 x 2" hex bolts	(2) 1/2-13 x 1 1/2" hex bolts	(6) 1/2-13 hex nuts
	(12) 1/2" flat washers	(12) 1/2" lock washers	(4) 1/4-20 hex nuts
	(4) 1/4" flat washers	(4) 1/4" lock washers	

1. Insert the 1/2-13 front stud plate into the cavity inside the front body mount so the 1/2" studs protrude through the two holes on the underside of the mount. Next install a front mount bracket, two lock washers, two flat washers and two 1/2-13 hex nuts. Snug the nuts, but do not tighten at this time.
2. Insert the 1/4-20 rear stud plate into the rear body mount cavity so the 1/4" studs protrude through the two holes on the underside of the mount. Install a rear mount bracket (tall side should face the front of the vehicle) two flat washers, two lock washers and two 1/4-20 hex nuts. Insert the 1/2-13 x 1 1/2" hex bolt with a flat washer and a lock washer through the large hole in the side of the body mount and through the hole in the rear mount bracket. Install a 1/2" flat washer, a 1/2" lock washer and a 1/2-13 hex nut onto the end of the bolt. Snug the bolt, but do not tighten.
3. Bolt the tube to the brackets with two 1/2-13 x 2" hex bolts, lock washers and flat washers. The wider end of the tube should go towards the front. Snugly tighten the bolts, then check the alignment of the tube against the rocker panel. Make any necessary adjustments, then tighten all 1/2" bolts to 50 ft lbs. Tighten 1/4" nuts to 8 ft lbs.
4. Repeat steps on opposite side of the vehicle.



### 7066 Toyota T100 Extended Cab Pickup