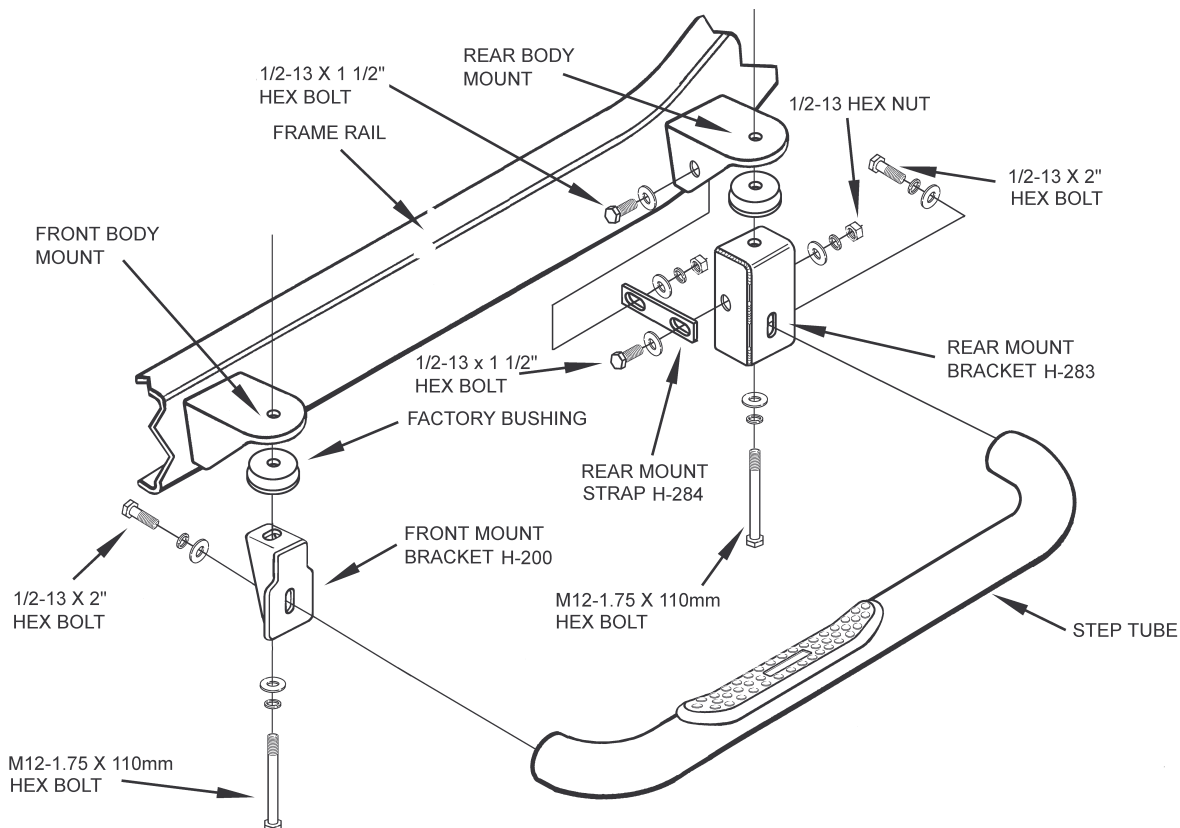


Installation Instructions

CONTENTS:	(2) Step Tubes	(2) Front mount brackets H-200
	(2) Rear mount brackets H-283	(2) Rear mount straps H-284
	(4) M12-1.75 x 110mm hex bolts	(4) 1/2-13 x 1 1/2" hex bolts
	(4) 1/2-13 x 2" hex bolts	(4) 1/2-13 hex nuts
	(16) 1/2" flat washers	(12) 1/2" lock washers

1. Remove the factory bolts in the front and rear body mounts that go up into the truck cab.
2. Install the supplied M12-1.75 x 110mm bolts through a lock washer, flat washer, mount bracket and into the body mounts.
3. Bolt on the rear mount strap from the hole in the side of the rear mount bracket to the existing hole in the frame. Use a 1/2-13 x 1 1/2" hex bolt, two flat washers, a lock washer, and a 1/2-13 hex nut at each end of the strap.
4. Bolt the tube to the brackets with two 1/2-13 x 2" hex bolts, lock washers and flat washers. Snug the bolts, then check the alignment of the tube against the rocker panel. Make any necessary adjustments, then tighten M12 fasteners to 45 ft lbs. and 1/2-13 bolts to 50 ft lbs.
5. Repeat steps on opposite side of the vehicle.



7083 1999 Chevrolet-GMC Fullsize 3 Door Pickup under 8600 GVW

Back Country, Tekstyle and Teksport are Registered Trademarks of Design Automotive Group, Inc. All rights reserved