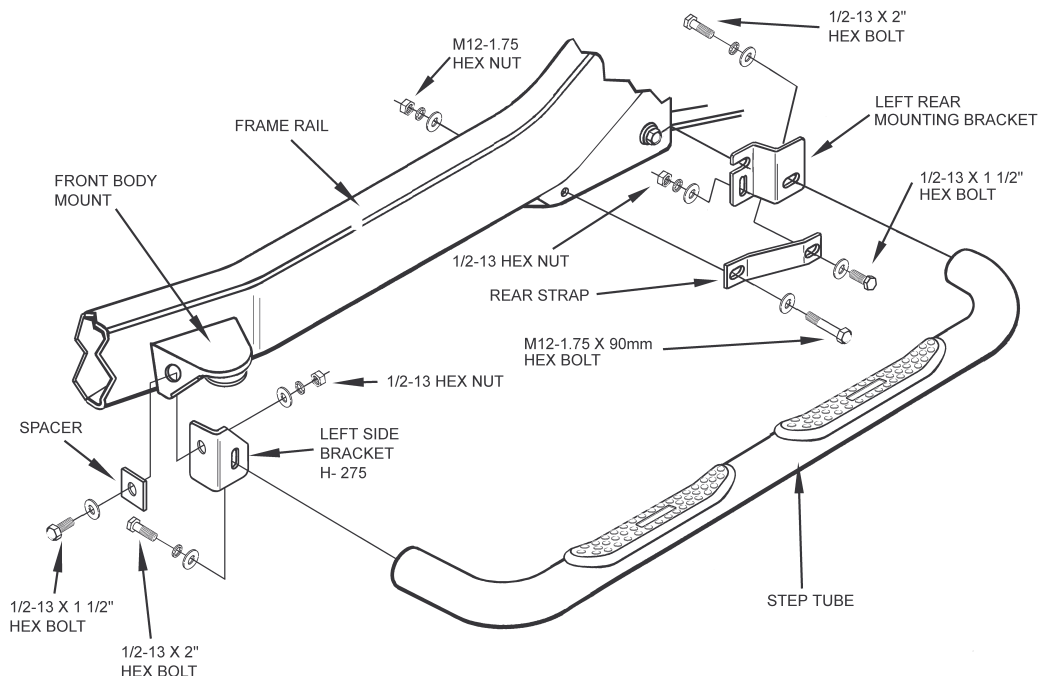


## Installation Instructions

<b>CONTENTS:</b>	(2) Step Tubes	(1) Left front mount brackets H-275
	(1) Right front mount brackets H-274	(1) Left rear frame bracket H-301
	(1) Right rear frame bracket H-302	(2) rear straps H-303
	(4) 1/2-13 x 1 1/2" hex bolts	(4) 1/2-13 x 2" hex bolts
	(16) 1/2" flat washers	(10) 1/2" lock washers
	(4) 1/2-13 hex nuts	(2) M12-1.75 x 90mm hex bolts
	(2) M12-1.75 hex nuts	(2) Spacers

1. Using a 1/2-13 x 1 1/2" hex bolt, 1/2-13 hex nut, two 1/2" flat washers, and a 1/2" lock washer, install a left mount bracket to the inside front of the left front body mount of the truck's frame. Thread by hand only.
2. Loosen the front spring eye bolt at the rear axle, guide the slot in the rear mounting bracket underneath the bolt and tighten until the bracket stays in place. Install the rear strap between the rear mounting bracket and the hole in the frame rail. Fasten the strap through the frame with a M12-1.75 x 90mm hex bolt, two 1/2" flat washers, a 1/2" lock washer, and a M12-1.75 hex nut. Fasten the strap to the bracket with a 1/2-13 x 1 1/2" hex bolt, two 1/2" flat washer, a 1/2" lock washer, and a 1/2-13 hex nut.
3. Bolt the tube to the brackets with two 1/2-13 x 2" hex bolts, lock washers and flat washers. Snugly tighten the bolts, then check the alignment of the tube against the rocker panel. Make any necessary adjustments, then tighten all 1/2-13 bolts to 50 ft lbs, tighten the front spring eye bolt to 120 ft/lbs.
4. Repeat steps on right side of the vehicle.



### 7093 2000-2004 Current Nissan Frontier Crew Cab 4X4 4.5' Bed