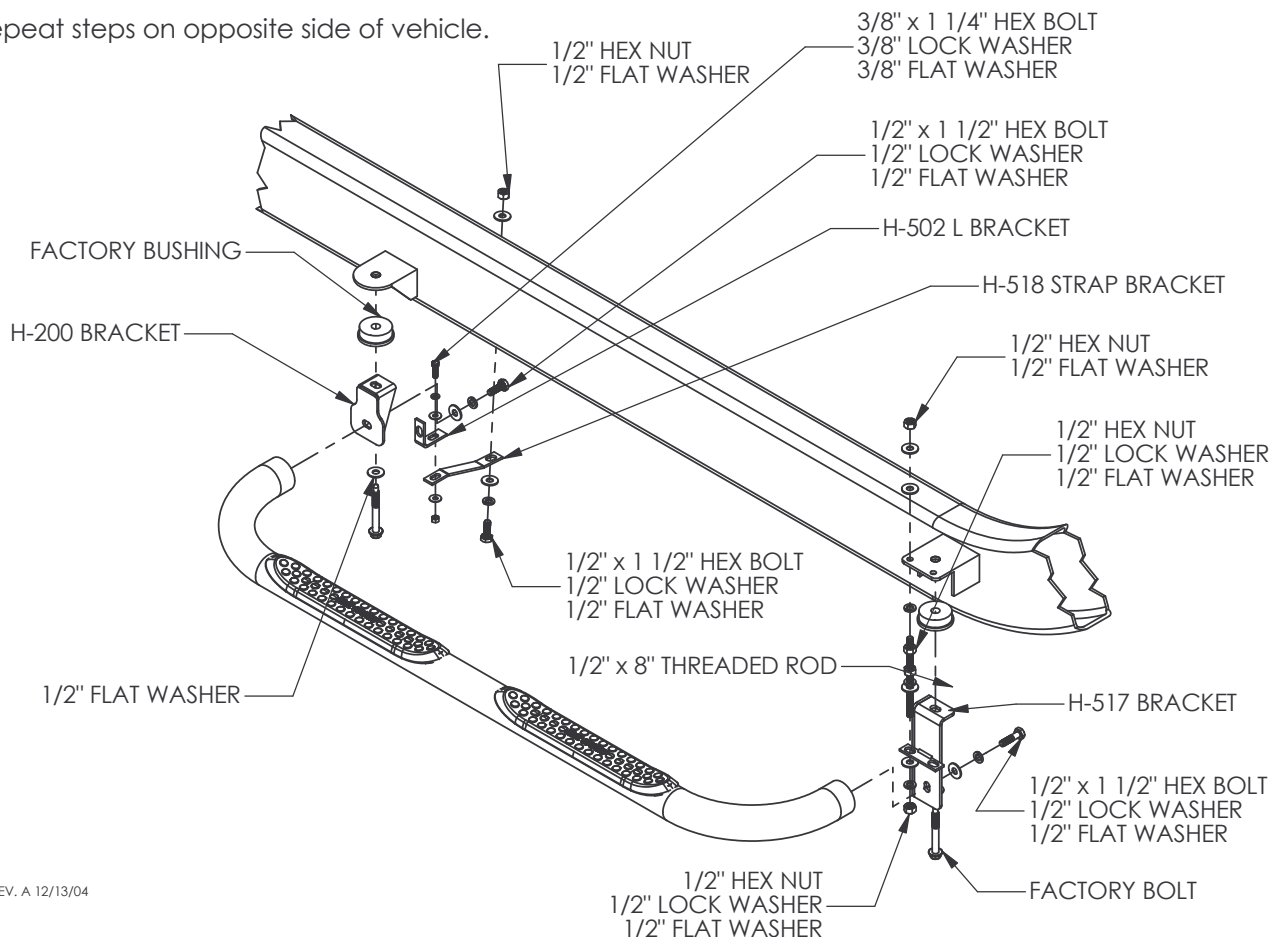


Installation Instructions

CONTENTS:

(2) 6102 Step Tubes	(20) H-001 1/2" Flat Washer	
(2) H-200 Front Bracket	(12) H-002 1/2" Lock Washer	(4) H-037 3/8" Flat Washer
(2) H-517 Rear Bracket	(6) H-004 1/2"-13 x 1 1/2" Hex Bolt	(2) H-038 3/8" Lock Washer
(2) H-502 L Bracket	(10) H-009 1/2"-13 Hex Nut	(2) H-020 3/8" Hex Nut
(2) H-518 Strap Bracket	(2) H-090 1/2" x 8" Threaded Rod	(2) H-062 3/8"x 1 1/4" Hex Nut

- 1) Remove factory bolts that secure the body to the frame at the front and rear of the cab.
- 2) Attach upper portion of 1/2" x 8" threaded rod to the frame from above with a 1/2" hex nut and 1/2" flat washer and from below with a 1/2" flat washer, 1/2" lock washer, and 1/2" hex nut. Start another 1/2" hex nut, 1/2" lock washer, and 1/2" flat washer up 4" from bottom of rod. Refer to figure below.
- 3) Reinstall the factory bolts through the H-200 front bracket and H-517 rear bracket.
- 4) Re-install the H-200 assembly into the front frame location, and the H-517 assembly back into the frame at the rear of the cab. Be sure threaded rod protrudes through hole in the H-517 bracket. Leave the brackets loose enough for adjustment. Secure rear bracket with another 1/2" hex nut, 1/2" lock washer, and 1/2" flat washer.
- 5) Bolt tube to the brackets with two 1/2-13 x 1 1/2" hex bolts, lock washers and flat washers. Both tubes are identical so orientation is not critical. The front hex bolt also passes through the H-502 bracket, before going into H-200.
- 6) Attach H-518 strap to H-502 and inner round hole on frame (NO DRILLING REQUIRED). Align tube and tighten all M12 fasteners to 45 ft/lbs. Tighten 1/2" fasteners to 50 ft/lbs.
- 7) Repeat steps on opposite side of vehicle.



REV. A 12/13/04